

SPARKSHIELD (imperial)

CYCLONE SPARK ARRESTER

The SparkShield provides highly effective removal of sparks and cigarette butts. Besides, it is a very effective in-line pre-separator reducing dust load in the connected filter system.

The SparkShield is to be mounted in horizontal position. Its divisible housing enables maintenance without duct disassembly.

The SparkShield comes with a dustbin of 0.5 and 1.0 cubic feet. The distance between the spark arrester and dustbin can be enlarged by a duct of Ø 8 in.



APPLICATIONS

The SparkShield is part of Plymovent's *SHIELD fire safety solutions* and recommended to be used in applications with a high fire risk, such as:



- robotic welding of oily stamped products
- robotic and automatic welding of oily products
- manual welding of oily products
- cutting tables
- schools and other areas with risk of cigarette butts

SPECIFICATIONS

Physical dimensions and properties

Material:	<ul style="list-style-type: none"> • inlet + outlet • SparkTwist • dustbin • hose 	<ul style="list-style-type: none"> • powder-coated steel • galvanized steel • tin • glassfibre/kevlar/metal
-----------	---	---

Colour:	<ul style="list-style-type: none"> • inlet • outlet • dustbin • hose 	<ul style="list-style-type: none"> • grey RAL 7011 • grey RAL 7035 • natural • grey/black
---------	--	---

Product combinations

Refer to the application data sheet about *SHIELD fire safety solutions* of Plymovent for recommended product combinations

As separate spark arrester in the extraction duct of central filter systems

Scope of supply

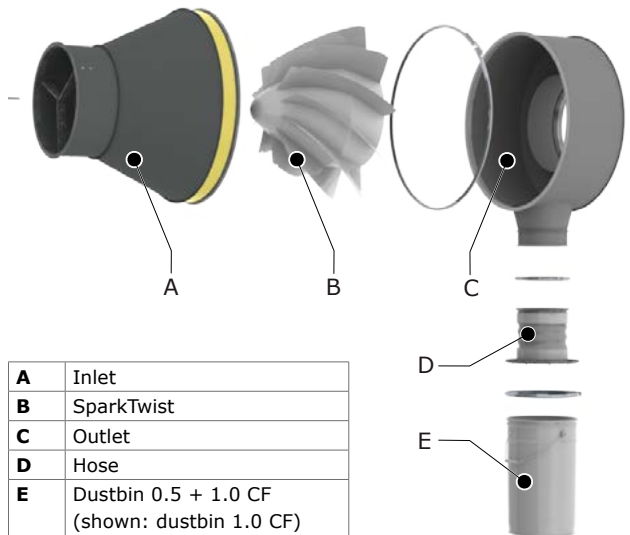
Spark arrester, consisting of inlet with SparkTwist and outlet, connected by duct clamp - Dustbin 0.5 CF + 1.0 CF - Dustbin cover incl. connection flange + hose - Duct connection material

Logistics data

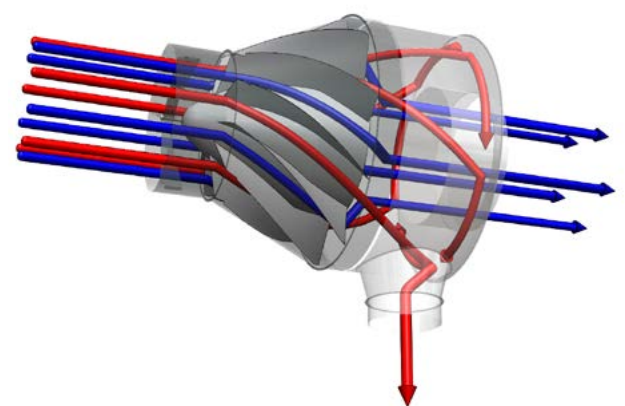
Harmonized Tariff Code	84213925
Country of origin	Netherlands

For more detailed specifications: refer to the table on page 2

MAIN COMPONENTS



SEPARATION OF SPARKS

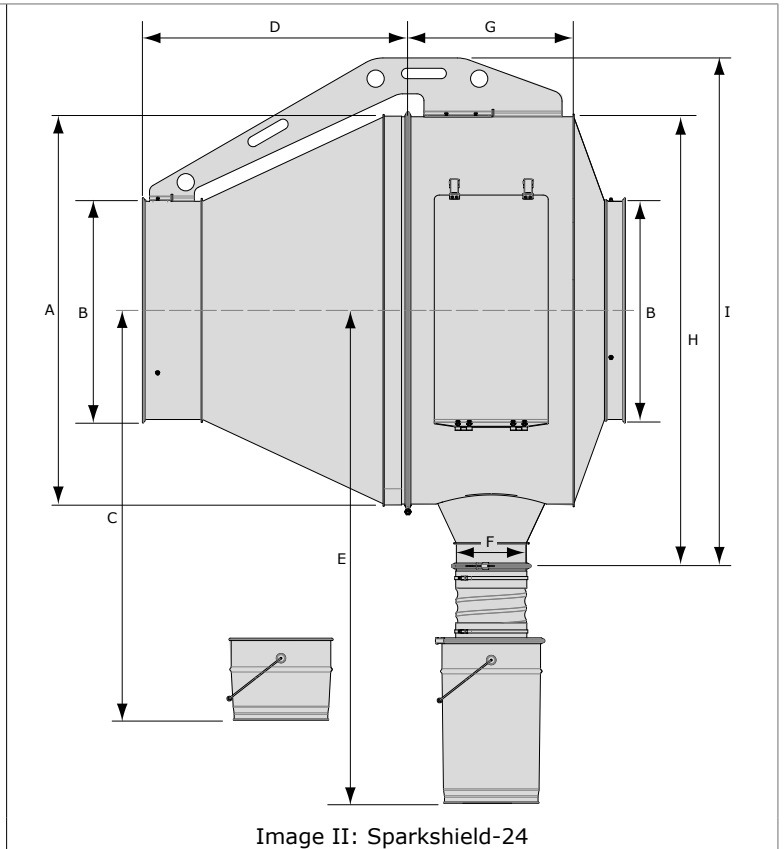
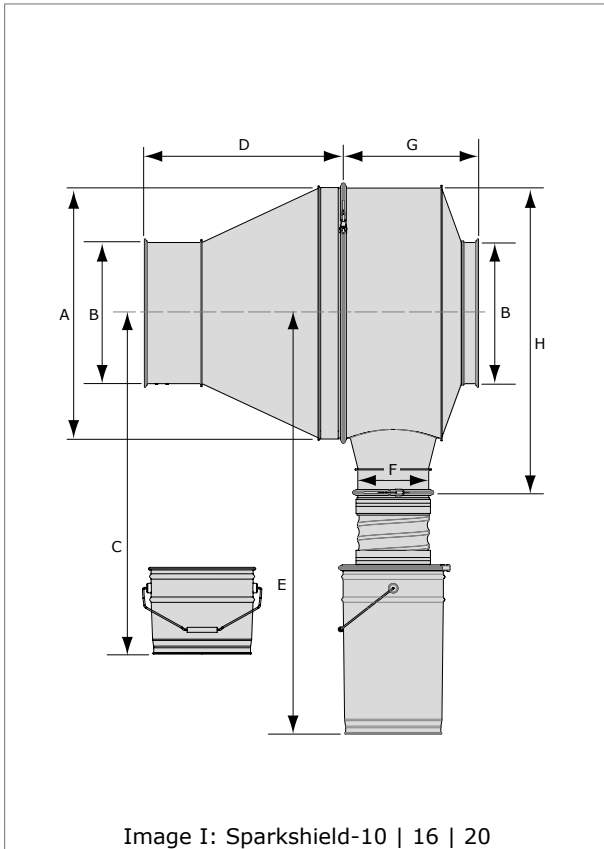


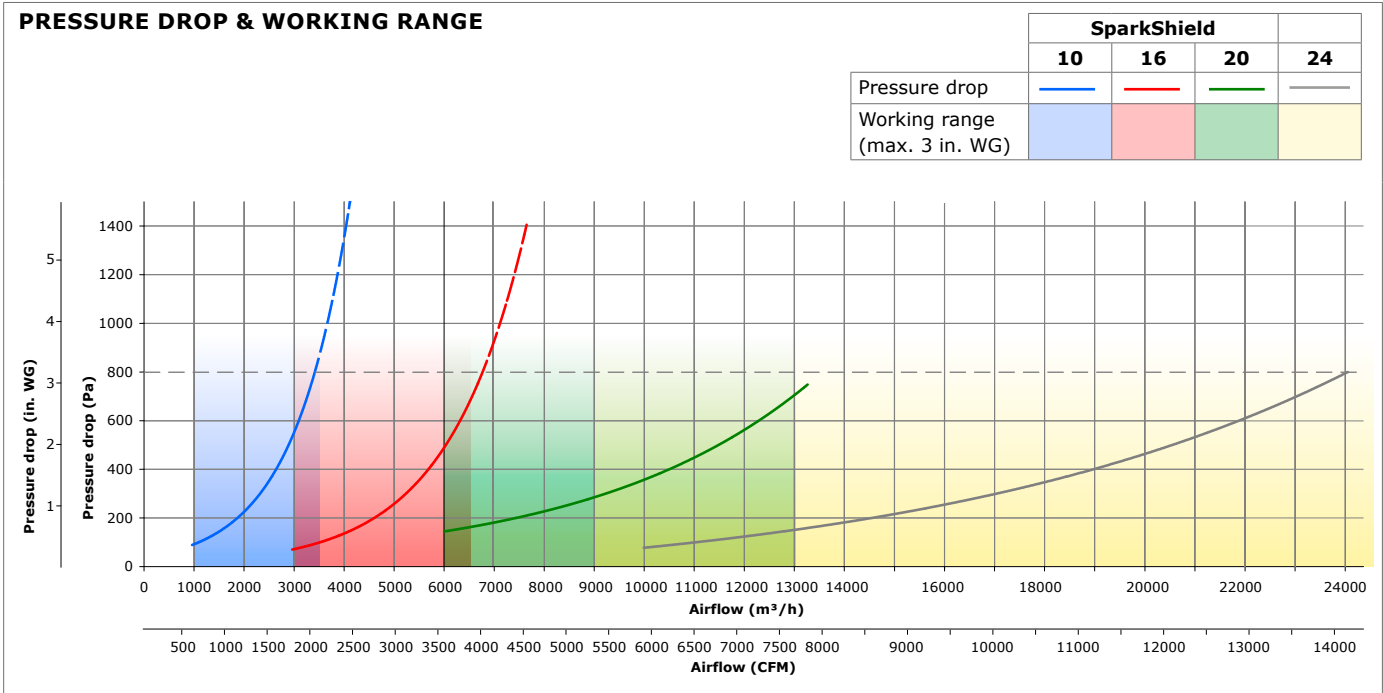
→ = sparks

→ = air

Table:
specifications per type

	SparkShield-10	SparkShield-16	SparkShield-20	SparkShield-24
	Refer to image I			Refer to image II
Physical dimensions and properties				
A	Ø 19.7 in.	Ø 28.0 in.	Ø 35.4 in.	Ø 44.3 in.
B	Ø 9.8 in.	Ø 15.7 in.	Ø 19.7 in.	Ø 24.8 in.
C	min. 32.5 in.	min. 38.2 in.	min. 43.1 in.	min. 47.2 in.
D	17.0 in.	22.0 in.	25.7 in.	30.3 in.
E	min. 41.3 in.	min. 47.2 in.	min. 52.2 in.	min. 55.9 in.
F	Ø 7.9 in.	Ø 7.9 in.	Ø 7.9 in.	Ø 7.9 in.
G	13.6 in.	15.2 in.	19.9 in.	24.8 in.
H	24.3 in.	34.1 in.	42.8 in.	51.2 in.
I	n/a	n/a	n/a	62.6 in.
Inspection hatch (2)	n/a	n/a	n/a	13.0 x 26.6 in.
Weight (net)				
• total	• 64 lbs.	• 110 lbs.	• 123 lbs.	• 247 lbs.
• spark arrester only	• 55 lbs.	• 101 lbs.	• 115 lbs.	• 260 lbs.
Appropriate duct diameter	Ø 10 in.	Ø 16 in.	Ø 20 in.	Ø 24 in.
Options and accessories				
Inspection hatch for:				
• vertical duct	• IH-200/8	• IH-200/8	• IH-200/8	• IH-200/8
• horizontal duct	• IH-250/10 (2x)	• IH-400/16 (2x)	• IH-500/20 (2x)	• IH-630/24 (2x)
Shut-off valve for vertical duct	MD-8	MD-8	MD-8	MD-8
Industrial detergent	EFC	EFC	EFC	EFC
Order information				
Article number	9760001040	9760001050	9760001060	00001114022
Logistics data				
Gross weight				
• excl. pallet	• 68 lbs.	• 117 lbs.	• 137 lbs.	• 331 lbs.
• incl. pallet	• 88 lbs.	• 146 lbs.	• 192 lbs.	• 370 lbs.
Packing dimensions	31.5 x 23.6 x 31.5 in.	47.2 x 31.5 x 39.8 in.	47.2 x 39.8 x 47.2 in.	





PATENT United States Patent and Trademark Office (2017)

The installation of any product(s) not included in the initial design of an extraction system could add additional static pressure to the overall system design. By doing so, the result may be a reduction of airflow at the extraction point.

Product type	SparkShield (imperial)
Article no.	refer to order information
Product category	SHIELD fire safety solutions
Version	081217/H

Always check the latest version on www.plymovent.com