

MEN

METAL NOZZLE

The MEN is highly suitable for Plymovent fixed extractors and exhaust reels. The MEN is designed to take in ambient cooling air thereby reducing the exhaust emission temperature.

The nozzle comprises a powder coated metal pipe and a spring-loaded metal lid. The rubber lid which shuts tight and functions as a draught valve when the nozzle is not being used, opens using a rubber-faced handle.



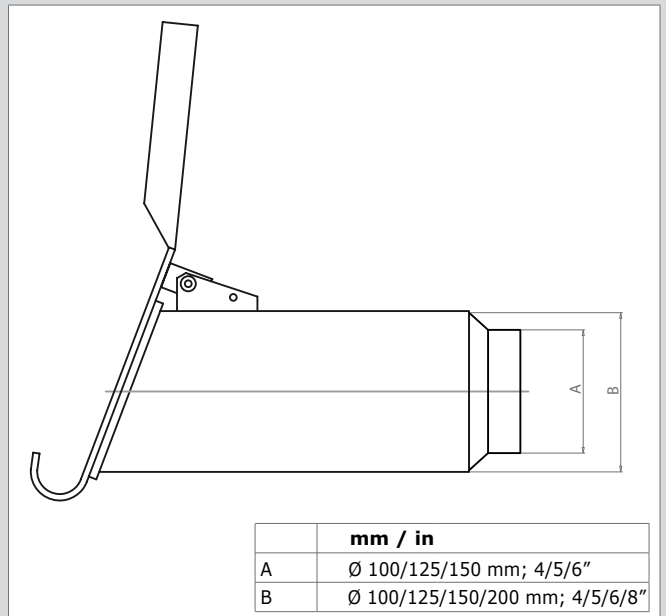
SPECIFICATIONS

■ Physical dimensions and properties	
Material	metal
Color	black (powder coated)
Temperature resistance	300°C/570°F
■ Scope of supply	
MEN Metal nozzle 1 per box	
■ Order information	
Refer to remaining specifications	
■ Shipping data	
Gross weight	See remaining specifications
Harmonized Tariff Code	8421.39.8090
Country of origin	Sweden

REMAINING SPECIFICATIONS

Article number	Dimensions exhaust hose	Dimensions nozzle	Weight
90230-1011	Ø 100 mm/4"	Ø 100 mm/4"	1.10 kg/2.4 lbs
90235-1011	Ø 125 mm/5"	Ø 125 mm/5"	1.70 kg/3.7 lbs
90240-1011	Ø 125 mm/5"	Ø 150 mm/6"	2.60 kg/5.7 lbs
90245-1011	Ø 150 mm/6"	Ø 150 mm/6"	2.40 kg/5.3 lbs
90250-1011	Ø 150 mm/6"	Ø 200 mm/8"	4.00 kg/8.8 lbs

DIMENSIONS



Product type	MEN - Metal nozzle
Article no.	refer to remaining specifications
Product category	Nozzles
Version	110711/0

Always check the latest version on www.plymovent.com.