

MHR

– Motorised Hose Reel

TECHNICAL DATA

Unit specification

Motor type

Supply power	120, 220 or 230 V
Phase	1 phase
Current	2 amps
Frequency	50 or 60 Hz
Output	0,44 kW

Lifting capacity

With power supply of 220/230 V maximum load is 23 kg/50 lbs. With power supply of 120 V maximum load is 15 kg/33 lbs.

Installation

On ceiling or wall.

Maintenance

Normal wear, no maintenance required.
See owner's manual.

Temperature range

Depending on hose,
from +150°C/300°F to +650°C/1200°F.

Max hose length

Depending on choice of hose diameter.
See chart on next page.

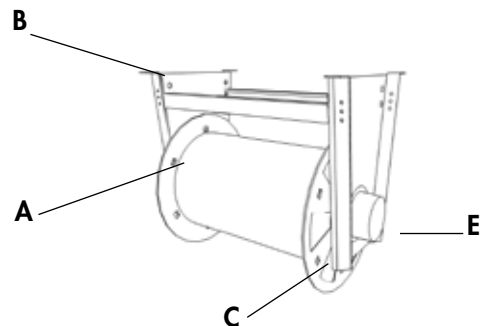
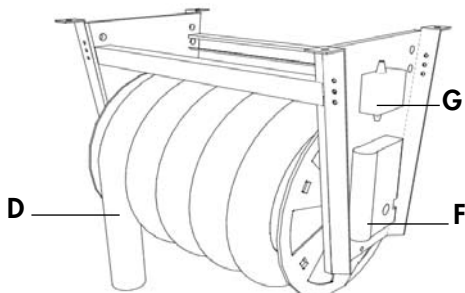
Model range

Comes in the models of MHR-650, MHR-850 and MHR-1050.

Construction

- A. Zinc coated drum with attached end plates of lacquered metal sheet.
- B. Stand made of profiled, zinc plated metal sheet.
- C. Hose guide, which controls the hose in its first revolution.
- D. Hose.
- Note! Hose must be ordered separately.
- E. Adapter to fan or central exhaust system.
- F. Motor.
- G. Control box

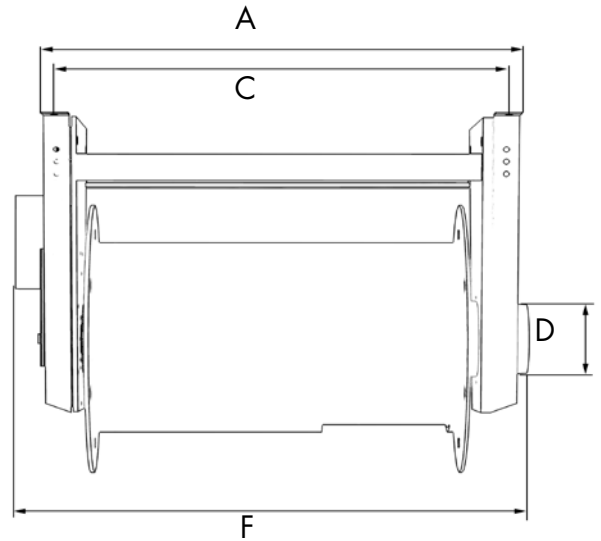
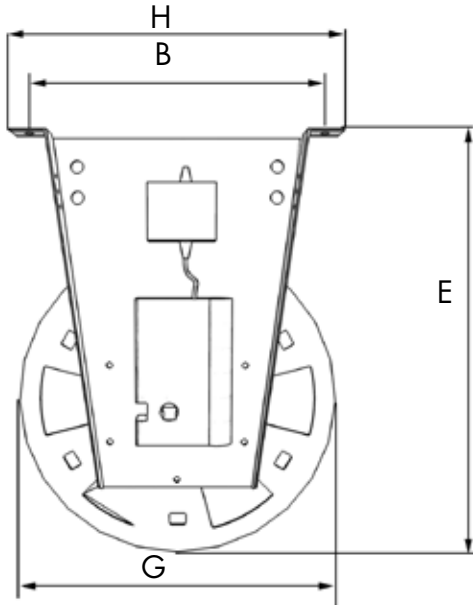
The motor is not designed for constant operation. If used for constant operation, built in thermal overload relay will release. Operation will automatically restart when motor temperature decreases.



PLYMVENT®

DIMENSIONAL DATA

	MHR-650	MHR-850	MHR-1050
A	830 mm/32.7"	1030 mm/40.5"	1230 mm/48.4"
B	500 mm/19.7"	500 mm/19.7"	500 mm/19.7"
C	774 mm/30.5"	974 mm/38.3"	1174 mm/46.2"
D	∅ 160 mm/6.30"	∅ 160 mm/6.30"	∅ 160 mm/6.30"
E	790 mm/31.1"	790 mm/31.1"	790 mm/31.1"
F	870 mm/34.3"	1070 mm/42.1"	1270 mm/50.0"
G	600 mm/23.6"	600 mm/23.6"	600 mm/23.6"
H	580 mm/22.8"	580 mm/22.8"	580 mm/22.8"



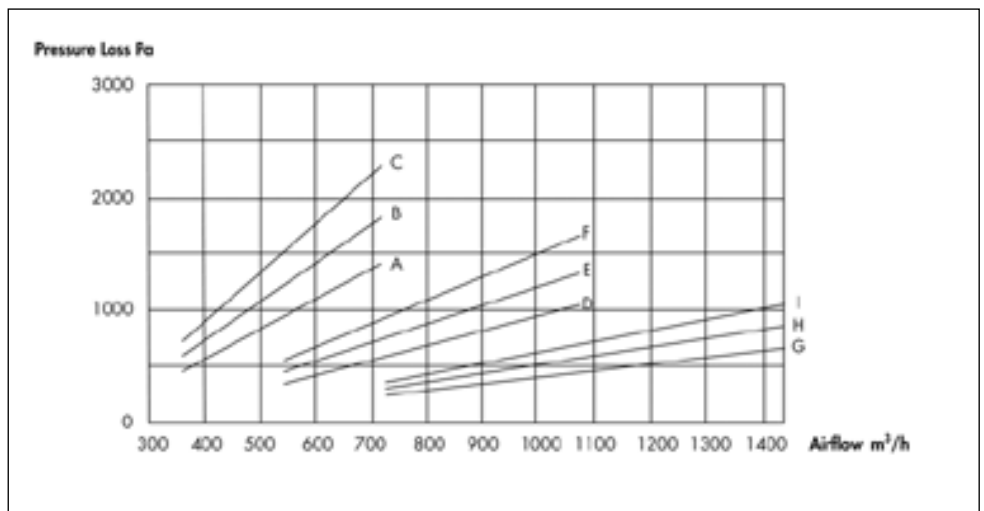
PRESSURE LOSS

The diagram shows the pressure loss in the hose reels at different airflows in uncoiled position. (EH-PV) For other hose types refer to separate datasheet or supplier.

Read the diagram at the recommended airflows;
Cars 360 m³/h (211 cfm).
Trucks 1080 m³/h (635 cfm).

The diagram shows these combinations of hose diameter/hose length:

- A. ∅ 100 mm/4", length 7.5 m/24,7 ft
- B. ∅ 100 mm/4", length 10,0 m/32,8 ft
- C. ∅ 100 mm/4", length 12,5 m/41,1 ft
- D. ∅ 125 mm/5", length 7,5 m/24,7 ft
- E. ∅ 125 mm/5", length 10,0 m/32,8 ft
- F. ∅ 125 mm/5", length 12,5 m/41,1 ft
- G. ∅ 150 mm/6", length 7,5 m/24,7 ft
- H. ∅ 150 mm/6", length 10,0 m/32,8 ft
- I. ∅ 150 mm/6", length 12,5 m/41,1 ft



ACCESSORIES

Hose type

EH-PV

High quality crush resistant hose designed for temperatures from -40°C/104°F to 170°C/340°F continuously. Recommended for areas where exhaust hose will be subjected to vehicles driving over the exhaust hose.

EG

High quality fabric composite hose designed for exhaust gas temperatures from 200°C/390°F to 220°C/430°F intermittent use. Recommended for areas that service cars and light trucks.

EF

High quality fabric composite hose designed for exhaust gas temperatures from 300°C/570°F to 350°C/660°F intermittent use. Recommended for areas that service heavy trucks and off-road vehicles.

ET

State of the art fabric composite hose designed for exhaust gas temperatures from 650°C/1200°F to 750°C/1380°F intermittent use. Recommended for areas performing extended dyno tests or compressed natural gas vehicles.

Hose options

Prod.no.	Hose diameter	Max Hose length on drum	Weight without hose
MHR-650-100	Ø 100 mm/4 inch	10.0 m/32.8 ft	46 kg/101 lbs
MHR-650-125	Ø 125 mm/5 inch	8.50 m/27.9 ft	46 kg/101 lbs
MHR-650-150	Ø 150 mm/6 inch	7.50 m/24.6 ft	46 kg/101 lbs
MHR-850-100	Ø 100 mm/4 inch	13.0 m/42.6 ft	51 kg/112 lbs
MHR-850-125	Ø 125 mm/5 inch	11.0 m/36.1 ft	51 kg/112 lbs
MHR-850-150	Ø 150 mm/6 inch	10.0 m/32.8 ft	51 kg/112 lbs
MHR-1050-100	Ø 100 mm/4 inch	16.0 m/52.5 ft	56 kg/123 lbs
MHR-1050-125	Ø 125 mm/5 inch	14.0 m/45.9 ft	56 kg/123 lbs
MHR-1050-150	Ø 150 mm/6 inch	12.5 m/41.0 ft	56 kg/123 lbs

Control unit

There are three different types all with on-off push button. One is a pendant control or wall mounted control, another is a radio transmitter.



Nozzle

See separate data sheets.

Fans

See separate data sheets.

ECMSO

Manual motorstarter with overload.
1 - 16 A, 230 - 690 VAC.



PLYMOVENT®

PlymoVent AB

Föreningsgatan 37, SE-211 52 Malmö, Sweden
Tel: +46 40 30 31 30, Fax: +46 40 30 31 40
www.plymovent.com info@plymovent.se

PlymoVent representative